



Product features and benefits

- Unique and esthetically designed easy to use RGB controller.
- Select and set a color by browsing a simple navigation wheel.
- Fits into a broad palette of applications where direct access to simple RGB color mixing effects is required.
- Use the ColorSwitch for static color selection, dimming, bouncing between 2 colors and automatic color chasing.
- Control up to 30 RGB luminaires directly from the ColorSwitch.
- DMX 512 control protocol
- Power supply, installation tools and extra cables included.

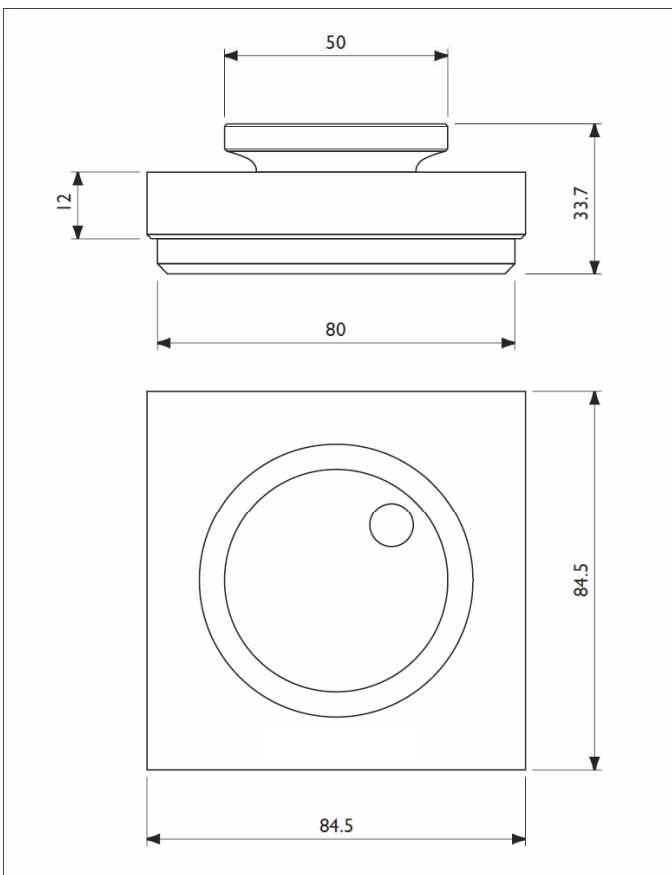
Applications

Indoor

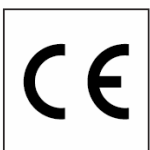
- Shops, shop windows, shop decorations
- Bars, restaurants, lounges
- Waiting rooms
- Beauty salons, fitness centers
- Show rooms
- Receptions, hotels

Outdoor

- Façade lighting, signage
- Monuments
- Simple city beautification



Dimensions in mm



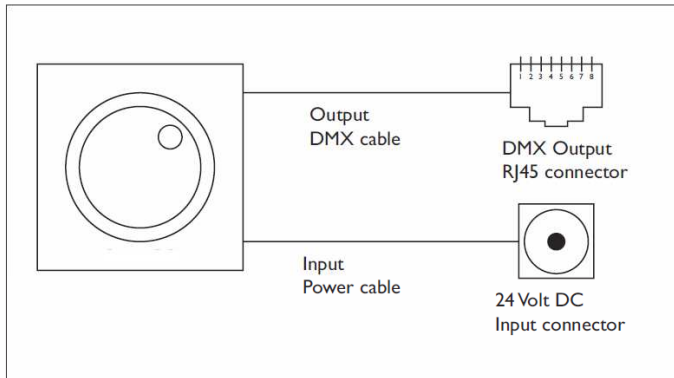
Product specification

ColorSwitch

- Wall mountable
- Only for indoor mounting
- Dimensions (L X W x H) 84.5 x 84.5 x 33.7 mm
- Voltage and power consumption 24 V DC, 18 W
- Blue LED mode indicators
- Operating temperature 5°C ~ 60°C
- After switching of the main power the ColorSwitch will start with last mode used when turning it back on (but start at the beginning point of a mode).
- RGB DMX output on DMX addresses 1, 2, 3
- Power supply input cable 2 meter (adapter input connector)
- DMX output cable 0,3 meter (RJ45 output connector)

Power supply

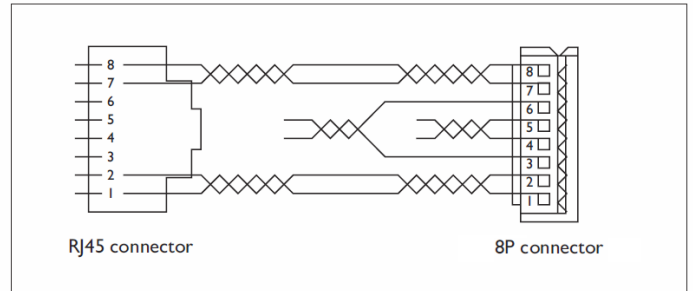
- Universal AC input / full range
- 3 Pole AC inlet IEC320-C14
- Class I power (with earth pin)
- Full output 3 ~ 48V safety approval
- Protections: short circuits / over load / over voltage
- RCC control circuit and regulated
- Fully enclosed plastic case
- Approvals: UL / CUL / TUV / CCC / CB / CE



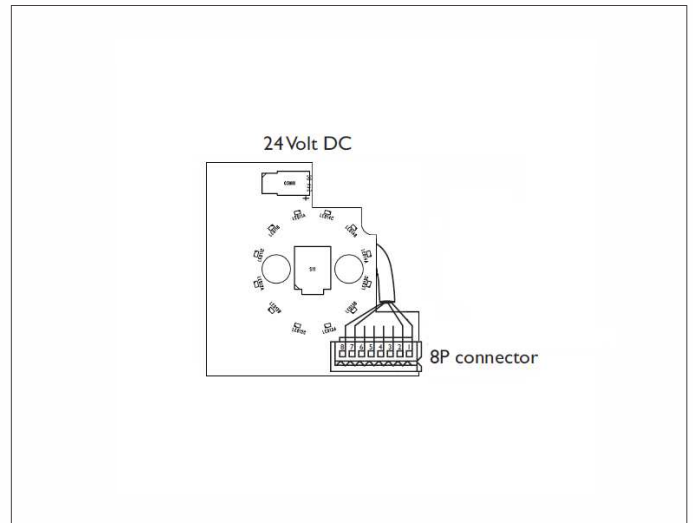
Output / input

Note:

- Mounting extra DMX cable can also be done through direct wiring, (see table which cables are necessary to make a proper DMX cable connection).
- Preferable use of RS485 cable for DMX cabling



RJ45 connector, 8P connector



DMX connector on PCB

Connect DMX cabling

- DMX cable is connected to the PCB with a JST XHP-8 connector.
- DMX output is via cable mounted RJ45 connector.
- With the included F-F RJ45 connector you can easily extend the DMX cable.

Pin on 8P	Pin on RJ45	Pair Number	Wire Color	Function
Pin 1	Pin 1	Pair 2	White/Orange	DMX Data 1 +
Pin 2	Pin 2	Pair 2	Orange	DMX Data 1 -
Pin 3	Empty	Pair 3	White/Green	No function
Pin 4	Empty	Pair 1	Blue	No function
Pin 5	Empty	Pair 1	White/Blue	No function
Pin 6	Empty	Pair 3	Green	No function
Pin 7	Pin 7	Pair 4	White/Brown	Signal Common (0V)
Pin 8	Pin 8	Pair 4	Brown	Signal Common (0V)

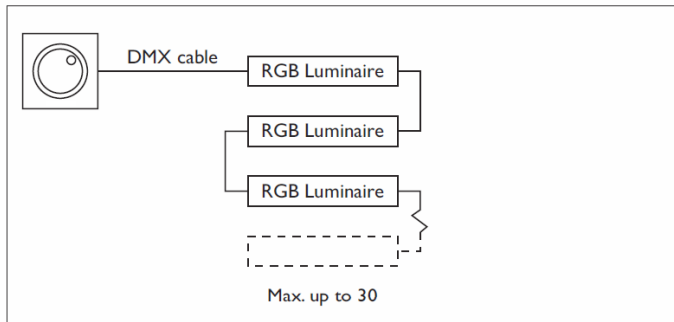


Connect RGB Luminaires

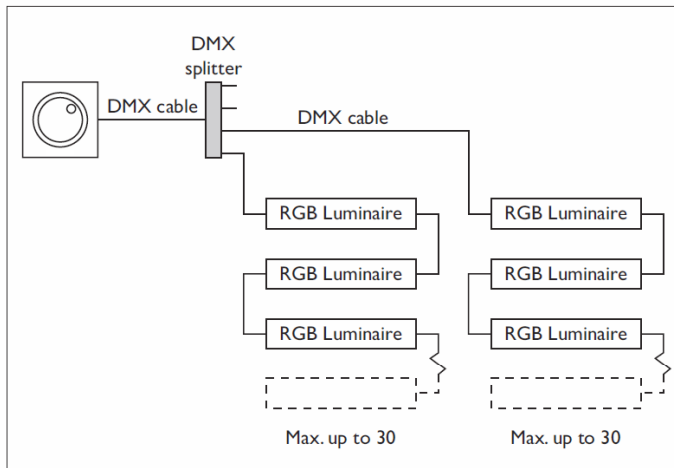
It is important to note that the maximum amount of RGB luminaires that can be controlled directly by the ColorSwitch is 30.

If more than 30 RGB luminaires are connected a DMX splitter or booster is required.

The last RGB luminaire connected in the chain should be terminated.

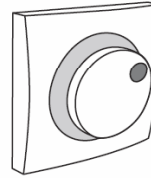


Installation with maximum of 30 RGB Luminaires



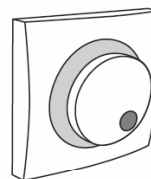
Installation example with splitter for extension RGB Luminaires

Modes



Mode 1 – Static color (upper right corner)

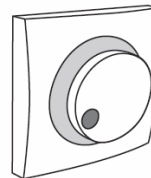
- Step 1 Push ColorSwitch till blue backlight in the upper right corner lights up.
- Step 2 Navigate the RGB color spectrum by turning the navigation wheel left or right.
- Step 3 When untouched after 6 seconds the blue backlight fades out, disabling color navigation, however the RGB luminaires remain in the chosen static color.
- Step 4 Push the navigation wheel to re-enter navigation mode 1.



Mode 2 – Dimming (lower right corner)

- Step 1 Push ColorSwitch till blue backlight in the lower right corner lights up.
- Step 2 Adjust your dimming level by navigating the wheel right or left.
- Step 3 When untouched after 6 seconds the blue backlight fades out however the RGB luminaires remains in the chosen dimming level.
- Step 4 Push the navigation wheel to re-enter navigation mode 2.

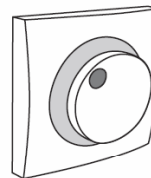
Note: The selected dimming level is set for both mode 1 and 4.



Mode 3 – Automatic color chasing (lower left corner)

- Step 1 Push ColorSwitch till blue backlight in the lower left corner lights up.
- Step 2 Adjust speed of the automatic color chasing by navigating the wheel to the right or left (pattern is pre defined). The flashing of the blue backlight indicates the pattern speed.
- Step 3 When untouched after 6 seconds the blue backlight fades out and the RGB luminaires stay in automatic color chasing and the speed level.
- Step 4 Push the navigation wheel to re-enter navigation mode 3.

Note: The selected speed level is set for both mode 3 and 4.



Mode 4 – Color bouncing (upper left corner)

- Step 1 Push ColorSwitch till blue backlight in the upper left corner lights up.
- Step 2 Choose color number 2 by navigating the wheel to the right or left.
- Step 3 When untouched after 6 seconds the blue backlight fades out and the RGB luminaires bounce between color number 1 (chosen in mode 1) and color number 2 (chosen in this mode).
- Step 4 Push the navigation wheel to re-enter navigation mode 4.

Note: Chosen dimming level in mode 2 and speed level in mode 3 are applied to the speed of the bouncing and the dimming level.

Included in package

- 1 x ColorSwitch
- 1 x Power Supply Adapter (24V)
- 1 x Power EU input chord for adapter
- 1 x Extra DMX output cable of 4 m
- 1 x Screw key
- 1 x F-F RJ45 Connector
- 1 x installation instruction

Packing data

Type	Box dimensions (mm)	Quantity	Material	Weight (Kg)	
				net	gross
Unit box	270 x 195 x 120	1	card board	0.20	0.5

06/2011
Printed in EU
Data subject to change

www.alenco.nl



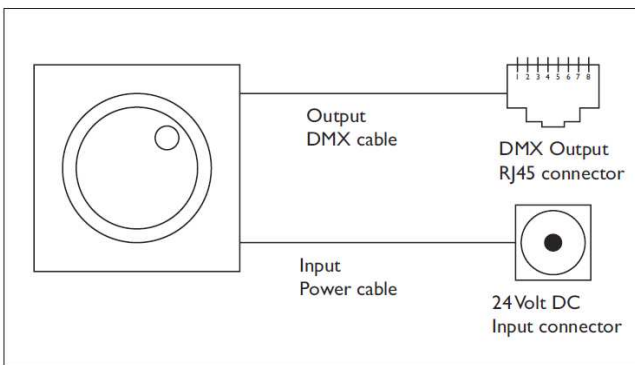
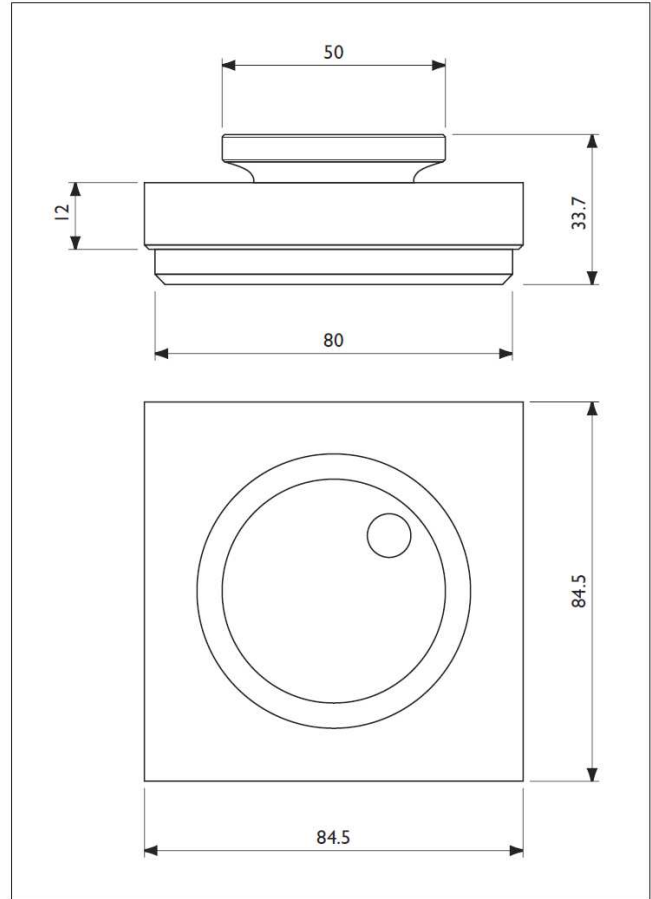
ColorSwitch DMX

Installation instructions

Instructions de montage
Montageanleitung
Montage instructie
Istruzioni di montaggio

Instrucciones de montaje
Instruções de montagem
Monteringsinstruktioner
Monteringsvejledning

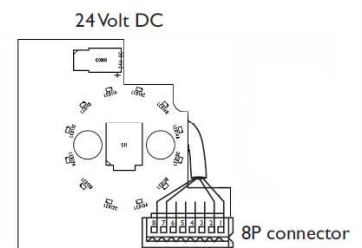
Kokoonpano- ja kiinnitysohjeet
Montaj yönergəsi
Οδηγίες συναρμολόγησης
Instrukcja montazu



DMX 512

- DMX cable is connected with a JST XHP-8 connector to the PCB.
- Output of the DMX cable has an RJ45 output connector.
- With the included F-F RJ45 connector you can extend the DMX cable easily.
- Mounting extra DMX cable can also be done through directly wiring (see table which cables are necessary to make a proper DMX cable connection).
- DMX512 control protocol.

Pin on 8P	Pin on RJ45	Pair Number	Wire Color	Function
Pin 1	Pin 1	Pair 2	White/Orange	DMX Data I +
Pin 2	Pin 2	Pair 2	Orange	DMX Data I -
Pin 3	Empty	Pair 3	White/Green	No function
Pin 4	Empty	Pair 1	Blue	No function
Pin 5	Empty	Pair 1	White/Blue	No function
Pin 6	Empty	Pair 3	Green	No function
Pin 7	Pin 7	Pair 4	White/Brown	Signal Common (0V)
Pin 8	Pin 8	Pair 4	Brown	Signal Common (0V)



ColorSwitch DMX

Mounting instructions

1. Remove the wheel (1) with the screw key (9)
2. Remove the screws (8, 11) out of the plastic ring (2)
3. Remove the nut (8) off the pin
4. Lift the housing (3) from the back black housing
5. Lift PCB (5) up
6. Mount the black housing (4) on the wall or surface
7. Put the PBC (5) back
8. Put the aluminum housing (3) on
9. Turn the screws (8, 10) on the plastic plate
10. Turn the nut (6) on the pin
11. Turn the wheel (1) on the pin and turn the screw (9) on

